

MVP12-P3 AI-RTD4 4xM12A IOLA12 E0

IO-Link Class A Hub

IO-Link hub in 30 mm plastic housing

4 analog inputs (RTD)

1 × M12 IO-Link Class A

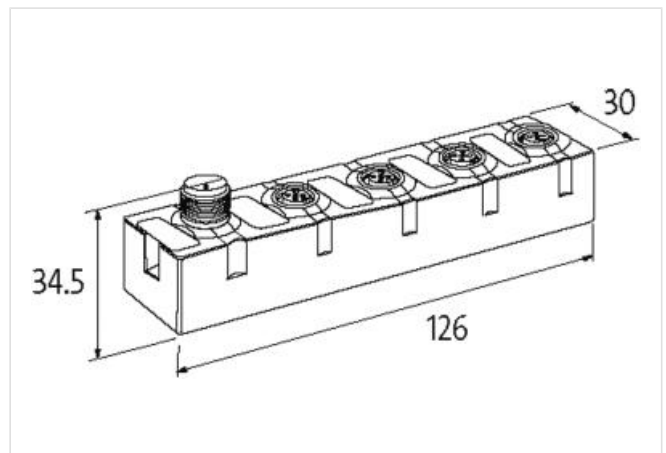
4 × M12 I/O

Extended parameter range

Connection cables are in the online shop under "Connection Technology".

[Link to Product](#)**Illustration**

Product may differ from Image

**Electrical data | Supply**

Operating voltage US DC	24 V
Operating voltage US DC min.	18 V
Operating voltage US DC max.	30 V
Current consumption max.	50 mA

Electrical data | Input

Conversion time with interference frequency filter	OFF: 12 ms, 50 Hz: 50 ms, 60 Hz: 120 ms
--	---

Industrial communication | IO-Link

IO-Link process data length output	5 Bytes
IO-Link process data length input	10 Bytes
IO-Link revision ID	V1.1.2
IO-Link revision compatibility	V1.1.3
IO-Link type	Device
IO-Link cycle time min.	1,6 ms
IO-Link transmission rate	COM3 (230.4 kbit/s)
Port Class	A

Diagnostics

Diagnostic via LED	per module and channel
--------------------	------------------------

IO-Link events	No voltage, Undervoltage supply
LED display	Ethernet connection/data traffic
Status indication LED	green
Device protection Electrical	
Installation height max. ASL	3000 m
Degree of protection (EN IEC 60529)	IP68
Invers-polarity protection	yes
Mechanical data Mounting data	
Suitable for mounting type	2-hole screw mounting
Height	126 mm
Width	30 mm
Depth	34,5 mm
Environmental characteristics Climatic	
Operating temperature min.	-25 °C
Operating temperature max.	70 °C
Storage temperature min.	-40 °C
Storage temperature max.	85 °C
Connection type 4	
Connection type 1	X0-X3
Connection type 2	X0-X3
Connection type 3	XZ1
Connection type 4	XZ1
Family construction form	M12
Gender	female
Color contact carrier	green
Coding	A
No. of poles	5
PIN 1	CH +
PIN 2	CH S +
PIN 3	CH -
PIN 4	CH S -
PIN 5	n.c.
Family construction form	M12
Gender	female
Color contact carrier	black
Coding	A
No. of poles	5
PIN 1	CH +
PIN 2	CH S +
PIN 3	CH -
PIN 4	CH S -
PIN 5	n.c.
Family construction form	M12
Gender	male
Coding	A
No. of poles	5
PIN 1	24 V DC US (L +)
PIN 2	n.c.
PIN 3	0 V US (L -)
PIN 4	C / Q / IO-Link
PIN 5	n.c.
Family construction form	M12
Gender	male

Coding	A
No. of poles	5
PIN 1	24 V DC (US) (L +)
PIN 2	n.c.
PIN 3	0 V (US) (L -)
PIN 4	C / Q / IO-Link
PIN 5	n.c.
Commercial data	
customs tariff number	85389099
GTIN	4065909027851
Packaging unit	1